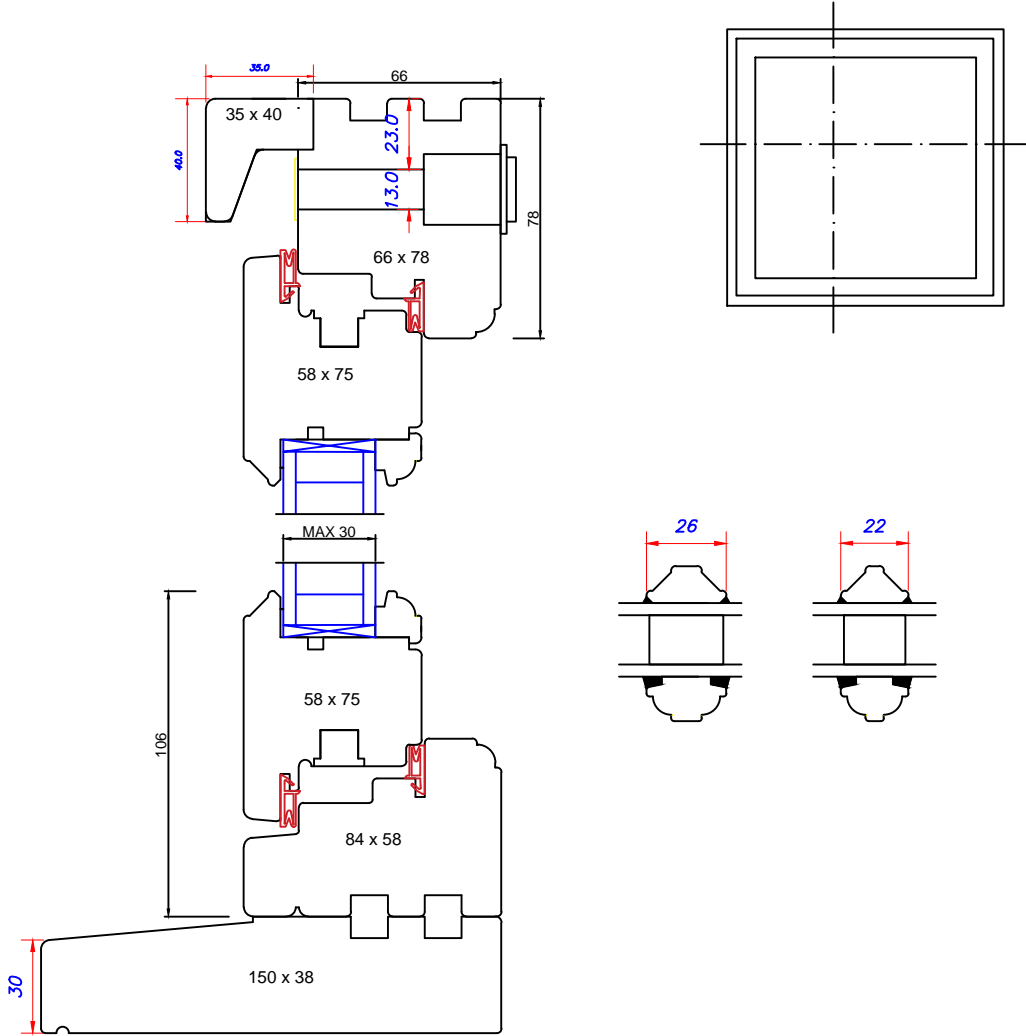
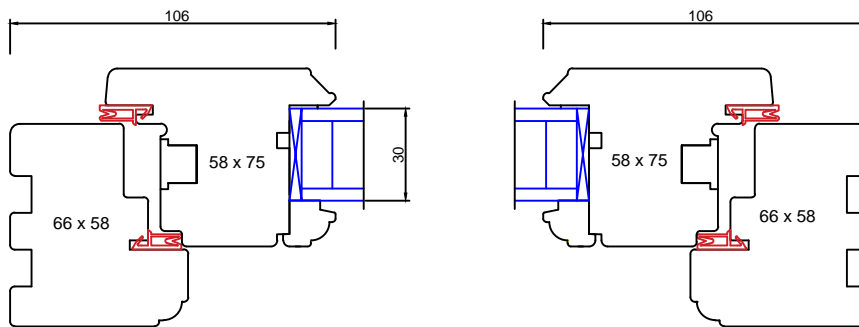


VERTICAL SECTION OF WINDOW



HORIZONTAL SECTION OF WINDOW



Stormproof 58/66  
with head drip, vent and cill 150x38