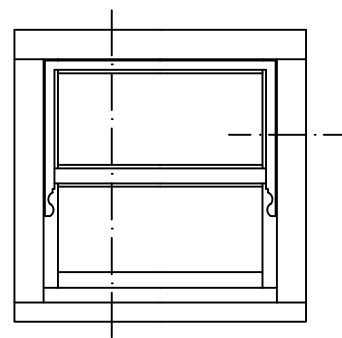
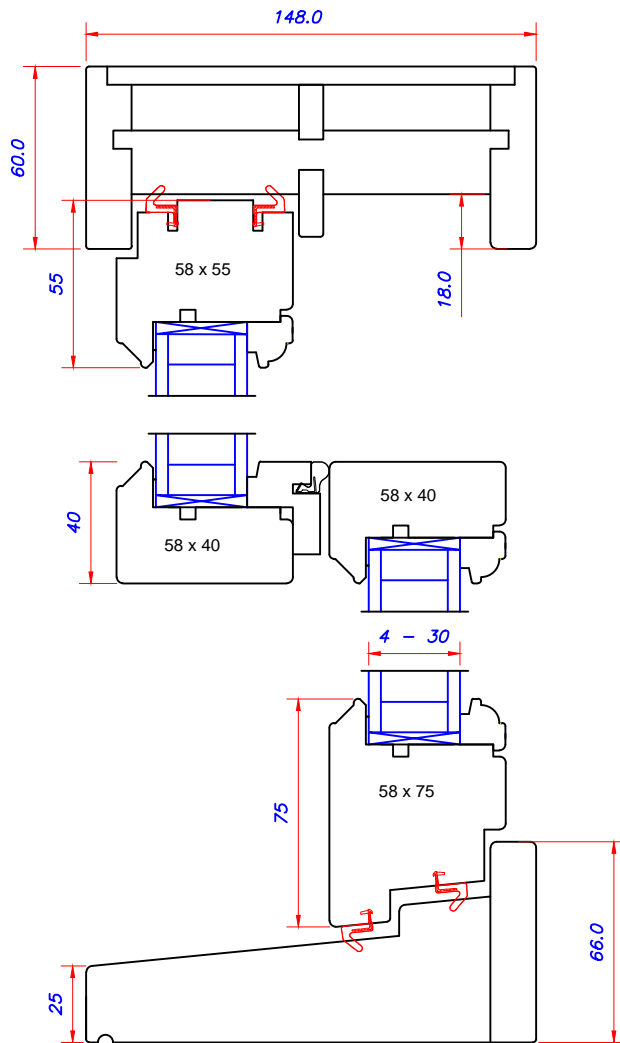
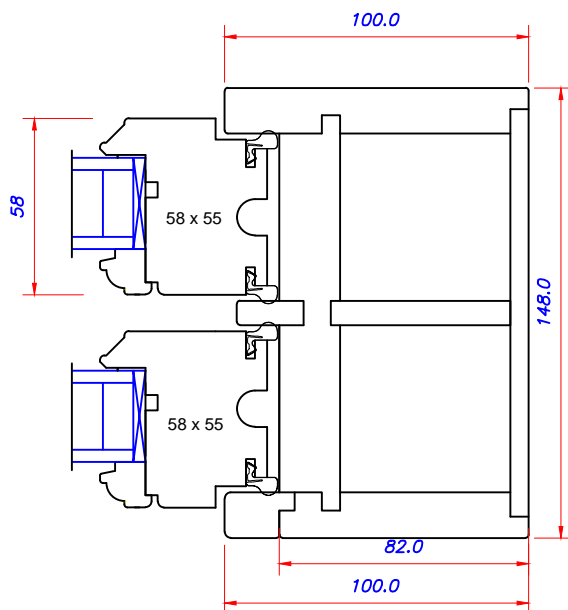


VERTICAL SECTION OF WINDOW



HORIZONTAL SECTION OF WINDOW



SASH Weights 58/60 (100)