

ROOF LANTERN

PRODUCT SPECIFICATION

BI-FOLDS | SLIDING DOORS | WINDOWS |
GLASS ROOFS | BESPOKE PROJECTS



Our Roof Lantern is a more cost effective solution than our other Roof Lantern options and is a viable alternative. As well as value for money it boasts comparable design features.

The roof itself is designed around maximum uninterrupted sight lines – bar numbers are reduced (or can be added if you prefer) and the ridge board and hub ends are as unobtrusive as possible.

Our Roof Lantern allows for larger areas of glass than any other lantern, meaning less aluminium within the roof itself.



(Detailed product diagrams overleaf)

PRODUCT OVERVIEW: Roof Lantern

AVAILABLE IN SET SIZES:

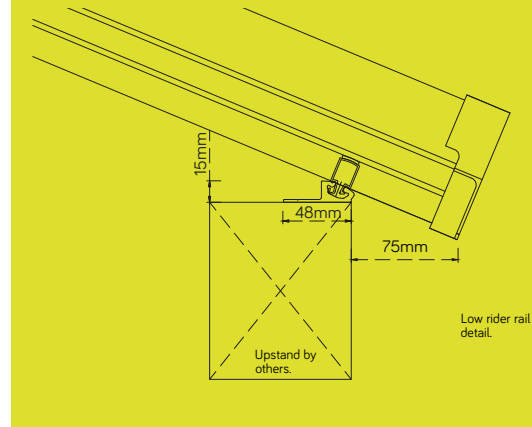
Rectangular double ended roof lights, with a width from 1000-2000*mm and a length from 1500-4000*mm.



1000 x 1500	1000 x 2000	1000 x 2500	1000 x 3000	1000 x 3500	1000 x 4000
1500 x 2000		1500 x 2500	1500 x 3000	1500 x 3500	1500 x 4000
2000 x 2500		2000 x 3000	2000 x 3500	2000 x 4000	

* Width and length are defined as to the external face of the timber kerb (not supplied, recommended to be 150mm high x minimum of 70mm wide).

RING BEAM DETAIL



Our Lantern range is a complete aluminium roof system boasting a thermally broken aluminium ridge body, 25 degree fixed pitch to all four sides and aluminium glazing bar and top caps.

- Low profile eaves beam (no gutter) designed to be fitted with oversailing 24mm double glazed units (high performance low e, self-cleaning and solar control in blue or neutral/clear offered as standard).
- The thermal performance has been optimised to make it suitable for extensions in domestic properties.
- Typical U value with 1.1 glass for a 1000mm wide x 2000mm long rooflight is 1.4 W/m²K. The larger the roof lantern, the more thermally efficient the overall product becomes.
- Full colour range in any RAL colour.
- Quick turnaround times.



Fenea.
BEAUTIFULLY MADE WINDOWS & DOORS

For more information:

Call Fenea 07841 475781