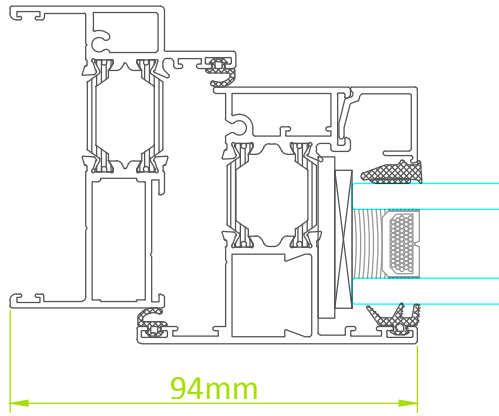
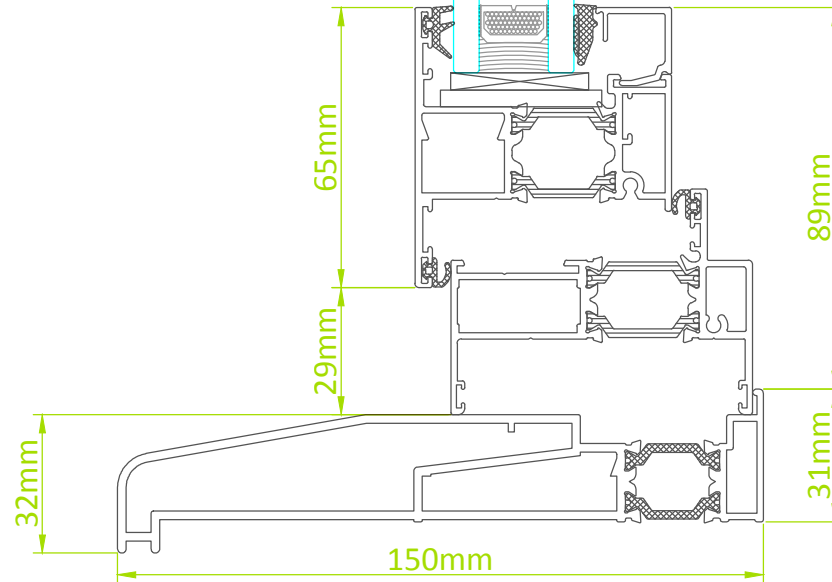
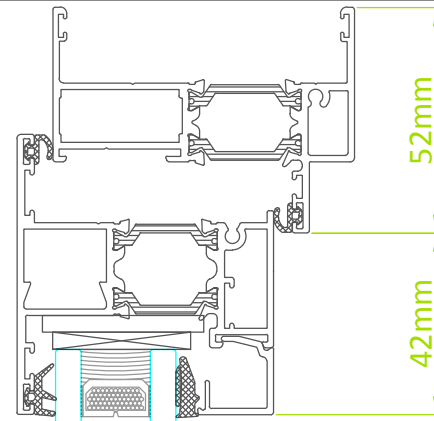
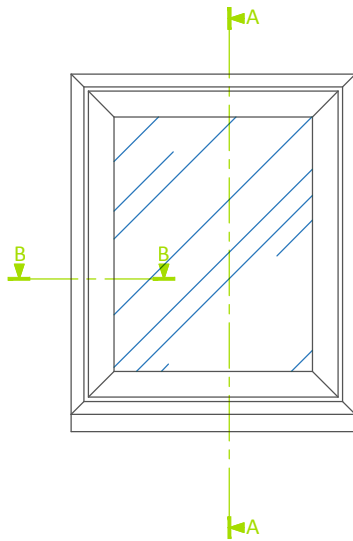


# Casement Window

# Window Sectional Detail



Section B-B - Side Jamb



Section A-A - Head and Footing